

5.7 L ULTRASONIC CLEANING SYSTEM

BioSonic® UC150



BioSonic UC150

 COLTENE

2017



BioSonic UC150



BioSonic UC125



BioSonic UC50DB



BioSonic UC95



BioSonic UC300



BioSonic UC300R



BioSonic UC100



BioSonic UC1

1988

Three Decades of Trusted Technology

TRUSTED BRAND

Designed for the dental practice and laboratory

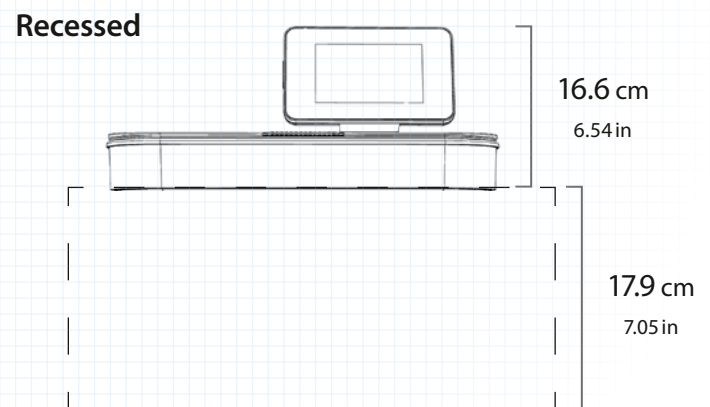
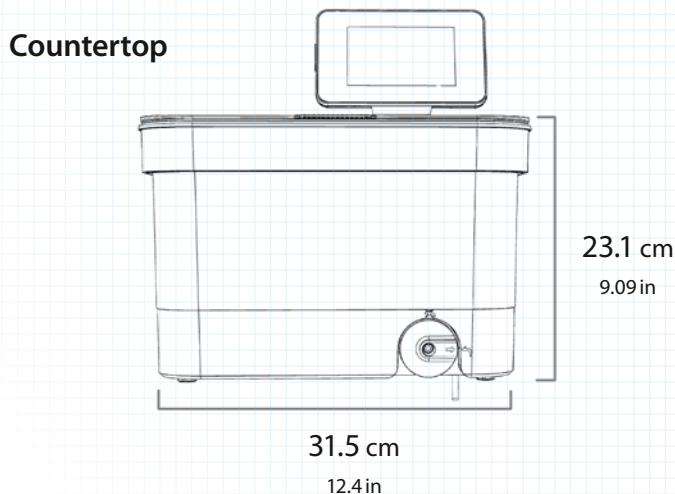
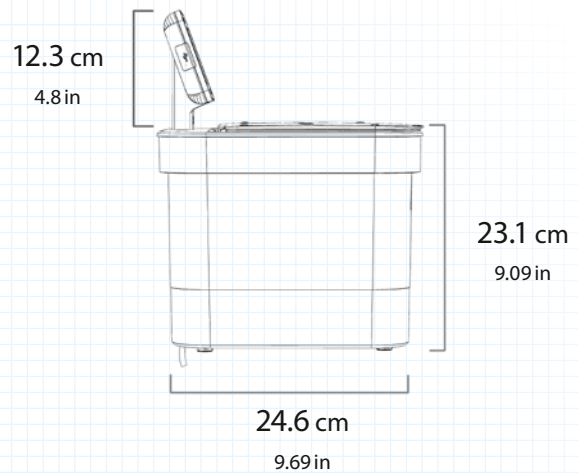
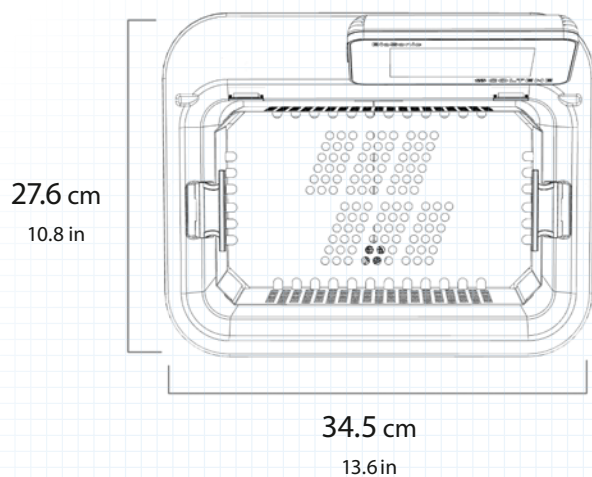
Since 1988, COLTENE's **BioSonic** Ultrasonic Cleaning Systems have been trusted worldwide as the standard in ultrasonics for the dental practice. **BioSonic** cleaning products are designed with the dental lab in mind, ensuring highly effective but gentle cleaning that prevents damage to dental and orthodontic instruments. You can depend on **BioSonic** cleaning products, including cleaning units suited for your office, cleaning solutions and accessories to manage your cleaning process from start to finish. The UC150 offers the same great quality you have come to expect from all **BioSonic** products while paving the way for some of the latest technological enhancements in ultrasonic cleaning.



*Some units shown have been discontinued

TRUSTED DESIGN

With its sleek, Swiss design, the **BioSonic UC150** is built for versatility, efficiency and convenience. The 5.7l stainless steel tank offers a small footprint but generous capacity, holding up to 4 instrument cassettes. The UC150 can be used as a countertop or recessed unit, allowing flexibility in any sterilization center setting.



DESIGNED FOR

VERSATILITY

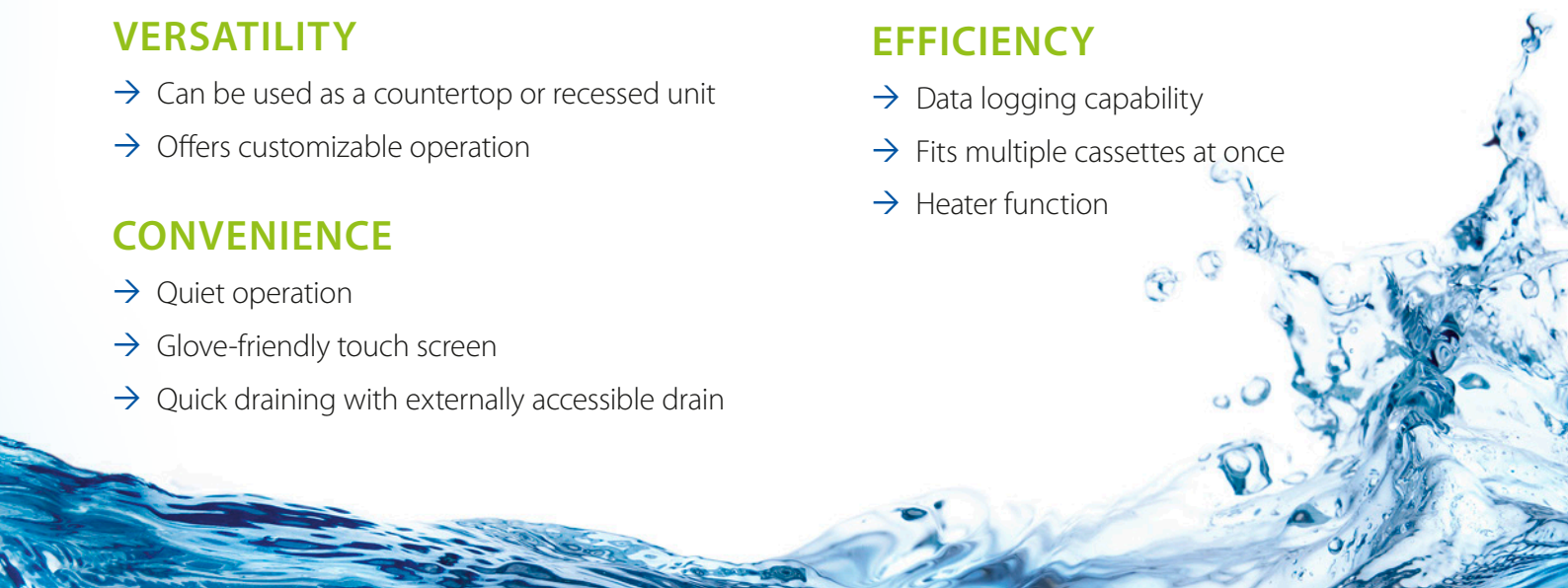
- Can be used as a countertop or recessed unit
- Offers customizable operation

CONVENIENCE

- Quiet operation
- Glove-friendly touch screen
- Quick draining with externally accessible drain

EFFICIENCY

- Data logging capability
- Fits multiple cassettes at once
- Heater function



TRUSTED FEATURES



MAXIMIZED COUNTER SPACE

The **BioSonic UC150** can sit directly on the countertop or be recessed. There is no need to invest in a new ultrasonic cleaner if your sterilization center is remodeled or storage conditions change.



USB INTERFACE

The USB interface allows for easy downloading or capture of cleaning data.



STAINLESS STEEL TANK

The **BioSonic UC150** offers a 5.7l, stainless steel tank designed to house a wide variety of cassette baskets and beakers for efficient care and cleaning of your instruments.



BUILT TO LAST

A sleek wear resistant housing that will not dent or stain.



MULTIPLE CLEANING CONFIGURATIONS

The unique crossflow basket enables enhanced instrument cleaning. Multiple cleaning configurations include beakers, baskets and instrument cassettes.





GLOVE-FRIENDLY TOUCH SCREEN DISPLAY

This easy to use, multilingual touch screen allows full functionality with a gloved hand. It features customizable operations with user-settable temperature, run time, solution tracking and data logging controls.



HEATER FUNCTION

Optional built-in controlled heating feature (25-60 °C | 70-140 °F) to improve efficiency of cleaning process, saving you time. Inbuilt high temperature safety indication for protection from unit overheating.



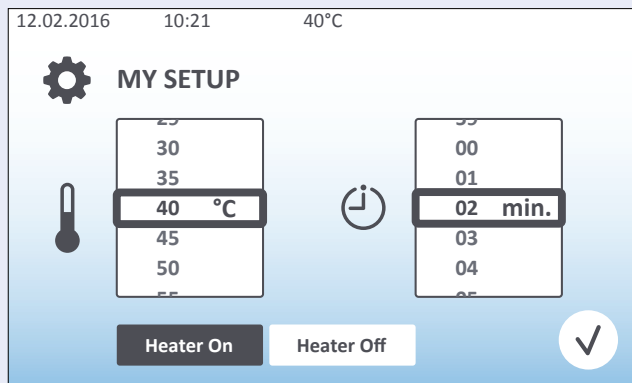
HINGED LID WITH OPEN/CLOSE DETECTION

The unique plastic hinged lid minimizes noise, traps vapors and ensures closed operation. It can also be used as a tray to air-dry your instruments prior to bagging and autoclaving.

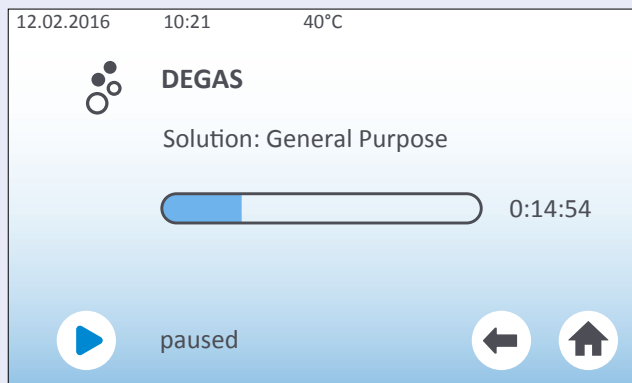


EFFICIENT DRAINING SYSTEM

The externally accessible drain with an extended tube allows for easy draining in less than a minute.



Controlled Heating



Degassing

12.02.2016 10:21 40°C

LOG

No	Date	Time	Progr.	Durat.	Temp.	Lid Status	Cycle No	Err. Stat.
25	12.05	14:32	REG	20 min	40°C	ok	235	0
26	12.05	16:38	REG	20 min	40°C	ok	236	0

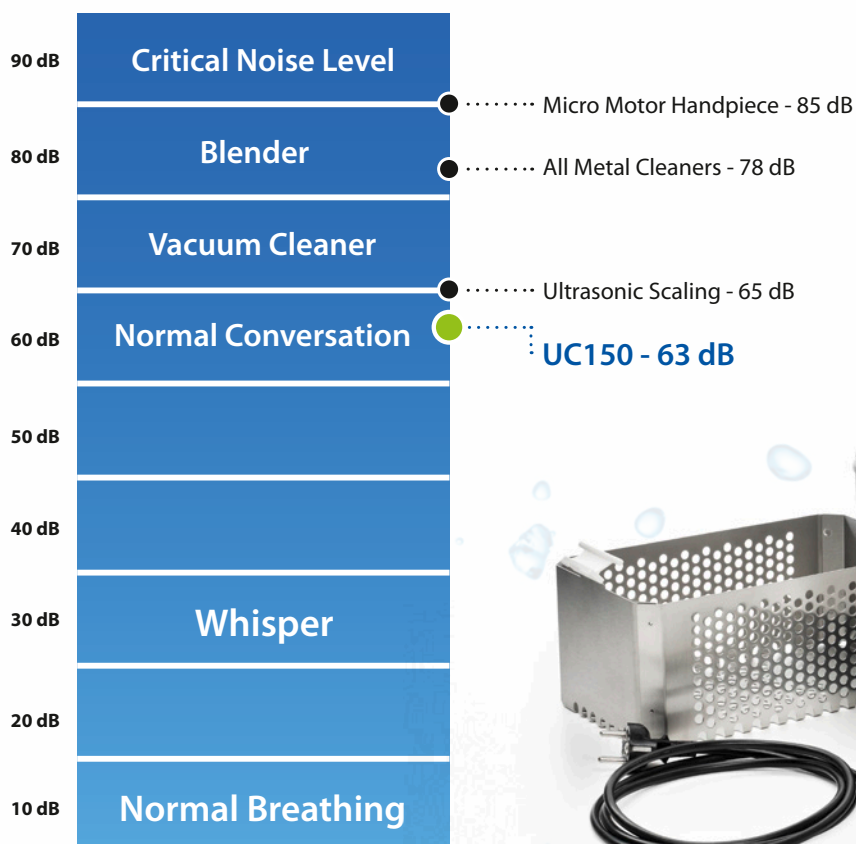
Data Logging

TRUSTED TECHNOLOGY

Cavitation is the heart of Ultrasonic Cleaning technology. This occurs as millions of bubbles, generated from high frequency soundwaves, form and burst continuously in the liquid. When the bubbles collapse, energy is released in the form of heat and pressure waves, thus breaking down the bonds that hold heavy debris on your instruments. The combination of tiny pressure waves created by cavitation and enhanced by specially formulated solutions reach deep into minute crevices, removing gross and microscopic debris.

With built in technology such as the frequency sweep function for uniform cleaning and in-built circuitry to protect against over-temperature or empty tank operation, the **BioSonic UC150** ensures safe and reliable device operation committed to your daily infection control needs.

Quiet Operation for a comfortable work environment



* Source: Internal testing, CRA, Dental research Journal (NCBI)



“ Having been in practice for over 25 years I have come to realize how important a reliable, well built, ultrasonic cleaner is to a busy dental practice. My first BioSonic, which was a large capacity cleaner for our stainless steel cassettes, has worked amazingly well for 4 years. I switched to BioSonic after numerous failures of another major brand ultrasonic cleaner. Hopefully I never have to purchase another ultrasonic, but If I do it will only be a BioSonic. ”

Dr. Brian Wilk, DMD - USA

Small footprint to maximize counter space

Overall Dimensions: 34.5 × 27.6 × 35.5 cm

Tank Dimensions: 28.7 × 16.0 × 17.8 cm

Large capacity to hold up to 4 medium cassettes

Use Capacity: 5.7l

Effective ultrasonic cavitation and cleaning process

Max Power Output of 160W (w/o heater) & 440W - 560 W (w/ heater)

Even cleaning with frequency sweep function

Operating frequency: 45 - 47.5 kHz

Warranty

2 years

BioSonic® Solutions & Accessories



ORDER INFORMATION

UC150 Unit

- 60021988 UC150 Cleaner Unit EU Plug**
- 60021989 UC150 Cleaner Unit UK Plug**
- 60021990 UC150 Cleaner Unit AUS Plug**
- 60022047 UC150 Cleaner Unit JAP Plug**

- 1 × Unit with Display
- 1 × Basket
- 1 × Power Cord
- 1 × Recess Template
- 1 × Recess Gasket
- 1 × Drain Tube

Accessory Kit

- 60022042 Accessory Kit**
- 1 × Basket
- 2 × Beakers with Covers & Positioning Rings
- 2 × Beaker Holders

Accessories

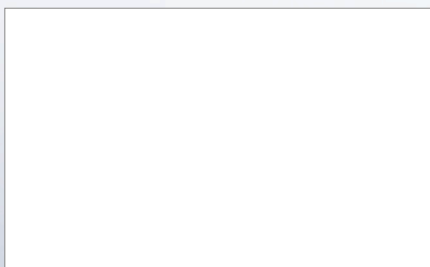
- UC53** 1 × 600 ml Beaker with Cover & Positioning Ring
- 60022040** 1 × Cassette Basket 26.8 × 15.8 × 11.5 cm
- 60022041** 1 × Beaker Holder
- 60022043** 3 × UC150 Replacement Drain Filters
- 60022044** 1 × UC150 Replacement Drain Hose
- 60022045** 1 × UC150 Replacement Lid
- 60022046** 1 × UC150 Gasket for Sealing

Ultrasonic Solutions

- 60021960 BioSonic UC40 dosed bottle***
1 × 1 l Universal Ultrasonic Cleaner dosed bottle
 - 60021961 BioSonic UC40 refill can***
1 × 5 l Universal Ultrasonic Cleaner refill can
- * Only available in Europe!*

-
- UC30 BioSonic UC30**
1 × 473 ml General Purpose Cleaning Solution Concentrate in MeterDose® Bottle
 - UC31 BioSonic UC31**
20 × 15 ml General Purpose Cleaner plus Super Rust Inhibitor
 - UC32 BioSonic UC32**
1 × 236 ml Enzymatic Ultrasonic Cleaner Concentrate in MeterDose® Bottle
 - UC34 BioSonic UC34**
1 × 840 g Plaster & Stone Remover Powder Concentrate in Jar
 - UC38 BioSonic UC38**
1 × 236 ml Germicidal Ultrasonic Cleaning Concentrate in MeterDose® Bottle
 - UC39 BioSonic UC39**
1 × 473 ml Cement Remover Concentrate in MeterDose® Bottle

© 2018 Coltene/Whaledent AG - www.coltene.com



Coltene/Whaledent Ltd.
The President Suite
Kendal House, Victoria Way
Burgess Hill, West Sussex
RH15 9NF / UK
T +44 1444 235486
F +44 1444 870640
info.uk@coltene.com

Coltene/Whaledent AG
Feldwiesenstrasse 20
9450 Altstätten / Switzerland
T +41 71 757 53 00
F +41 71 757 53 01
info.ch@coltene.com

Coltene/Whaledent Inc.
235 Ascot Parkway
Cuyahoga Falls, Ohio 44223 / USA
T +1 330 916 8800
F +1 330 916 7077
info.us@coltene.com