

1.5 GALLON / 5.7 L ULTRASONIC CLEANING SYSTEM

BioSonic[®] UC150

Your Patients Trust You
You Can Trust **BioSonic**



 **COLTENE**

Three Decades of Trusted Technology

2019



BioSonic UC150



BioSonic UC125



BioSonic UC95



BioSonic UC300



BioSonic UC300R



BioSonic UC100



BioSonic UC1

1988

TRUSTED BRAND

DESIGNED FOR THE DENTAL PRACTICE AND LABORATORY

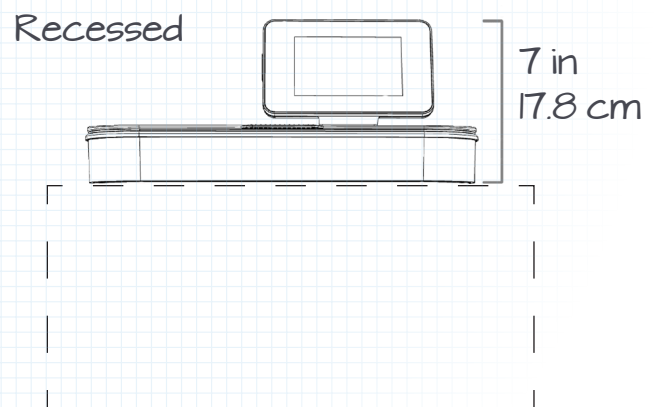
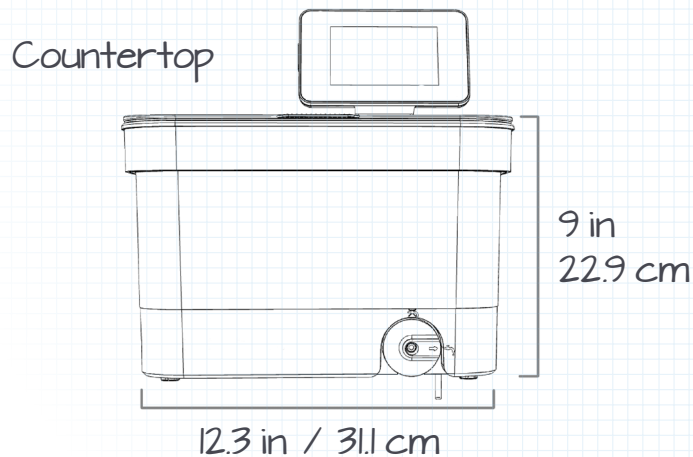
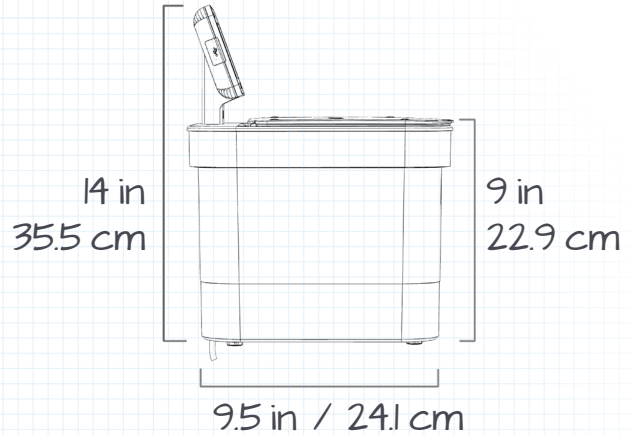
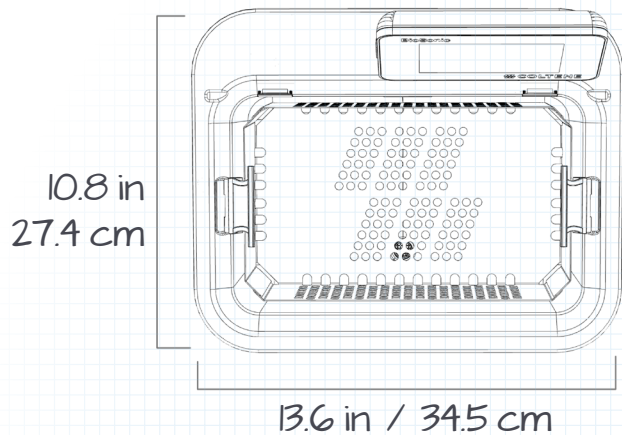
Since 1988, COLTENE's **BioSonic** Ultrasonic Cleaning Systems have been trusted worldwide as the standard in ultrasonics for the dental practice. **BioSonic** cleaning products are designed with dentistry in mind, ensuring highly effective but gentle cleaning that prevents damage to dental and orthodontic instruments. You can depend on **BioSonic** products, including a variety of ultrasonic units, cleaning solutions and accessories to manage your cleaning process from start to finish. The UC150 offers the same great quality you have come to expect from all **BioSonic** products while paving the way for some of the latest technological enhancements in ultrasonic cleaning.



*Some units shown have been discontinued

TRUSTED DESIGN

With its sleek, Swiss design, the **BioSonic UC150** is built for versatility, efficiency and convenience. The 1.5 gallon stainless steel tank offers a small footprint but generous capacity, holding up to 4 instrument cassettes. The UC150 can be used as a countertop or recessed unit, allowing flexibility in any sterilization center setting.



DESIGNED FOR VERSATILITY

- Can be used as a countertop or recessed unit
- Offers customizable operation

CONVENIENCE

- Quiet operation
- Glove-friendly touch screen
- Quick draining with externally accessible drain

EFFICIENCY

- Data logging capability
- Fits multiple cassettes at once
- Heater function

BioSonic UC150



MAXIMIZED COUNTER SPACE

The **BioSonic UC150** can sit directly on the countertop or be recessed offering ultimate versatility in your work space.



USB INTERFACE

The USB interface allows for easy downloading or capture of cleaning data.



STAINLESS STEEL TANK

The **BioSonic UC150** offers a 1.5 gallon / 5.7 L stainless steel tank designed to house a wide variety of cassette baskets and beakers for efficient cleaning of your instruments.



BUILT TO LAST

A sleek wear-resistant housing that will not dent or stain.



MULTIPLE CLEANING CONFIGURATIONS

The unique crossflow basket enables enhanced instrument cleaning. Multiple cleaning configurations include beakers, baskets and instrument cassettes.





GLOVE-FRIENDLY TOUCH SCREEN DISPLAY

The easy to use, multilingual touch screen allows full functionality with a gloved hand. It features customizable temperature settings and run times while allowing for solution tracking and data logging.



HEATER FUNCTION

The optional built-in controlled heating feature (70°–140° F) can improve efficiency of cleaning process, saving you time. A built-in high temperature safety indicator helps protect the unit from overheating.



HINGED LID WITH OPEN/CLOSE DETECTION

The unique plastic hinged lid minimizes noise, traps vapors and ensures closed operation. It can also be used as a tray to air-dry your instruments prior to bagging and autoclaving.



EFFICIENT DRAINING SYSTEM

The externally accessible drain and extended tube allow for easy emptying in approximately one minute.

12.02.2016 10:21 120°F

☰ LOG

No	Date	Time	Progr.	Durat.	Temp.	Lid Status	Cycle No	Err. Stat.
25	12.05	14:32	REG	20 min	120°F	ok	235	0
26	12.05	16:38	REG	20 min	120°F	ok	236	0

⬇️ 🏠

DATA LOGGING

12.02.2016 10:21 120°F

🔴 DEGAS

Solution: General Purpose

📊 0:14:54

▶️ paused

⬅️ 🏠

DEGASSING

12.02.2016 10:21 77°F

🌊 REGULAR CLEANING PROGRAM

🌡️ 104°F ⌚ 20 min

📊 0:18:30

🌊 Close the lid!

⏸️ 🏠

OPEN LID DETECTION

TRUSTED TECHNOLOGY

Cavitation is the heart of ultrasonic cleaning technology. This occurs as millions of bubbles, generated from high frequency soundwaves, form and burst continuously in the liquid. When the bubbles collapse, energy is released in the form of heat and pressure waves, thus breaking down the bonds that hold heavy debris on your instruments. The combination of tiny pressure waves created by cavitation and enhanced by specially formulated solutions reach deep into crevices, removing gross and microscopic debris.

With technology such as the frequency sweep function for uniform cleaning and built-in circuitry to protect against over-heating or empty tank operation, the **BioSonic** UC150 ensures safe and reliable device operation committed to your daily infection control needs.



QUIET OPERATION FOR A COMFORTABLE WORK ENVIRONMENT



*Source: Internal testing, CRA, Dental research Journal (NCBI)

// Having been in practice for over 25 years I have come to realize how important a reliable, well built, ultrasonic cleaner is to a busy dental practice. My first BioSonic, which was a large capacity cleaner for our stainless steel cassettes, has worked amazingly well for 4 years. I switched to BioSonic after numerous failures of another major brand ultrasonic cleaner. Hopefully I never have to purchase another ultrasonic, but if I do it will only be a BioSonic. — Dr. Brian Wilk, DMD - Philadelphia, PA //

Small footprint to maximize counter space

Overall Dimensions: 13.6" × 10.8" × 14" (34.5 × 27.4 × 35.5 cm)

Tank Dimensions: 11.3" × 6.3" × 7" (28.7 × 16.0 × 17.8 cm)

Effective ultrasonic cavitation and cleaning process

Max Power Output of 160W (w/o heater) & 440W - 560 W (w/ heater)

Large capacity to hold up to 4 medium cassettes

Tank Capacity: 1.75 US gal (6.6L)

Use Capacity: 1.5 US gal (5.7L)

Even cleaning with frequency sweep function

Operating frequency: 48 - 50.5 kHz

2 Year Warranty

BioSonic Solutions & Accessories

ORDER INFORMATION

UC150 Unit

60021987 UC150 Cleaner Unit USA
Unit, display, basket, power cord, drain tube,
recess template, recess gasket

1 pc.

Accessory Kit

60022042 Cassette basket, 2 beakers, 2 covers,
2 positioning rings, 2 beaker holders

1 set

Accessories

UC53 600 ml beaker with cover & positioning ring

1 pc.

60022040 Cassette basket 10.4 x 6.2 x 4.4"

1 pc.

60022041 Beaker holder

1 pc.

60022043 UC150 replacement drain filters

3 pcs.

60022044 UC150 replacement drain hose

1 pc.

60022045 UC150 replacement lid

1 pc.

60022046 UC150 gasket for sealing

1 pc.

Ultrasonic Solutions

UC30 General Purpose Cleaning Solution
Concentrate in MeterDose®
Dispensing Bottle 16 oz (473 ml)

UC32 Enzymatic Ultrasonic Cleaner
Concentrate in MeterDose®
Dispensing Bottle 8 oz (236 ml)

UC34 Plaster & Stone Remover Powder
Concentrate 1.85 lbs (840 g)

UC39 Cement Remover Concentrate in
MeterDose® Dispensing Bottle 16 oz (473 ml)

UC42 Germicidal Ultrasonic Cleaning
Concentrate in MeterDose®
Dispensing Bottle 16 oz (473 ml)



ALSO TRY

Disinfectant Wipes and Spray

60019366 BioSonic WIPEOUT Wipes* 160 Wipes
Large Size (6" x 6.75")

60019367 BioSonic WIPEOUT Wipes* 65 Wipes
Extra Large Size (8" x 14")

60019368 BioSonic WIPEOUT Spray* 32 oz



*Not sold in Canada

Coltène/Whaledent Inc.
235 Ascot Parkway
Cuyahoga Falls, OH 44223 / USA
Tel. + 1 800 221 3046
Tel. + 1 330 916 8800
Fax+ 1 330 645 8704
info.us@coltene.com

Coltène/Whaledent AG 
Feldwiesenstrasse 20
9450 Altstätten / Switzerland
Tel. +41 (0)71 757 53 00
Fax+41 (0)71 757 53 01
info.ch@coltene.com

Coltène/Whaledent GmbH + Co. KG
Raiffeisenstrasse 30
89129 Langenau / Germany
Tel. +49 (0)7345 805 0
Fax+49 (0)7345 805 201
info.de@coltene.com

www.coltene.com © 2019

 **COLTENE**

P/N 31465B